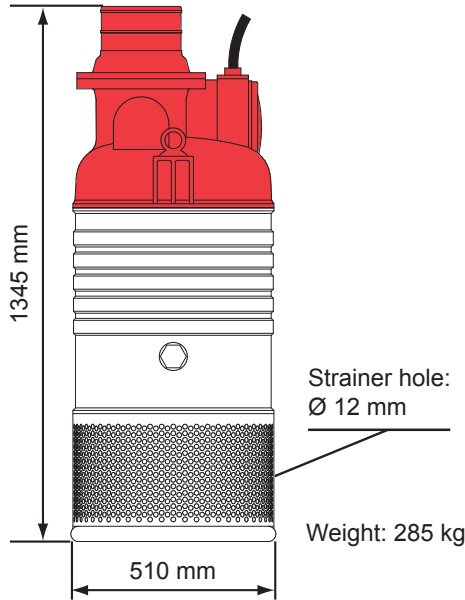


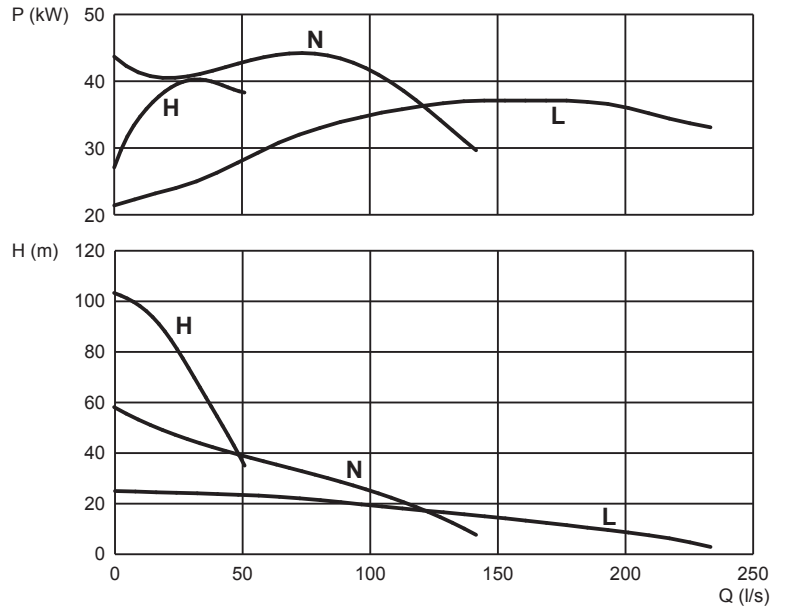
MAXI

Electrical submersible drainage pump 60 Hz

PROLINE



The curves have been designed according to ISO 2548C



Pump types

N: Normal head
H: High head
L: High flow

Classification

Electrical submersible pump
Protection class: IP68
Max. submersion depth: 20 m

Electrical motor

Squirrel cage induction motor
Insulation class: F (IEC 85)

Technical data		N & H	L
Shaft speed	r.p.m.	3500	1750
Rated output	kW	39	36
Max. power cons.	kW	46	38
Rated current A at	230 V	126	116
	460 V	63	58
	575 V	50	57

Other voltages on request

Motor protector

Temperature guard with thermal contacts in the stator and air valve.

This pump must be connected to an external starter box

Power cable

H07RN-F, length 20 m
4x35 mm², U = 230 V, DOL
4x25 mm², U = 230 V, star/delta
4x16 mm², U = 460 - 575 V, DOL
4x10 mm², U = 460 - 575 V, star/delta

Pilot cable

H07RN-F, length 21 m
2x1.5 mm²

These items are available on request

Shaft seals

Double mechanical face seals with an oil compartment between the seals
Material lower seal: Corrosion resistant cemented carbide - corrosion resistant cemented carbide
Material upper seal: Carbon - cemented carbide

Bearings

Lower: 2 angular contact ball bearings with C3 clearance
Upper: Ball bearing with C3 clearance

Discharge connections

Hose, BSP or NPT
N: 8"
H: 4"
L: 8"

Materials

Casted parts	Aluminium
Outer casing	Stainless steel
Motor shaft	Stainless steel
Impeller	Cr-alloyed white cast iron
Screws and nuts	Stainless steel
Diffusers	Polyurethane

Limitations

Max. submersion depth: 20 m
Max. liquid temperature: 40°C
Max. liquid density: 1100 kg/m³
pH of the liquid: 5-8

Accessories

Starter box, DOL or star/delta
Tandem connection
Zinc anodes
Non return valve

Specifications can be changed without notice.