

No: PD604 Revision 1 2005.04

**GRINDEX**

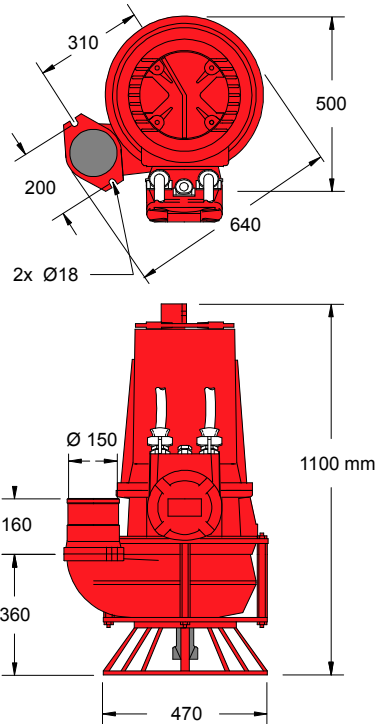
**BRAVO 60**

Electrical submersible slurry pump

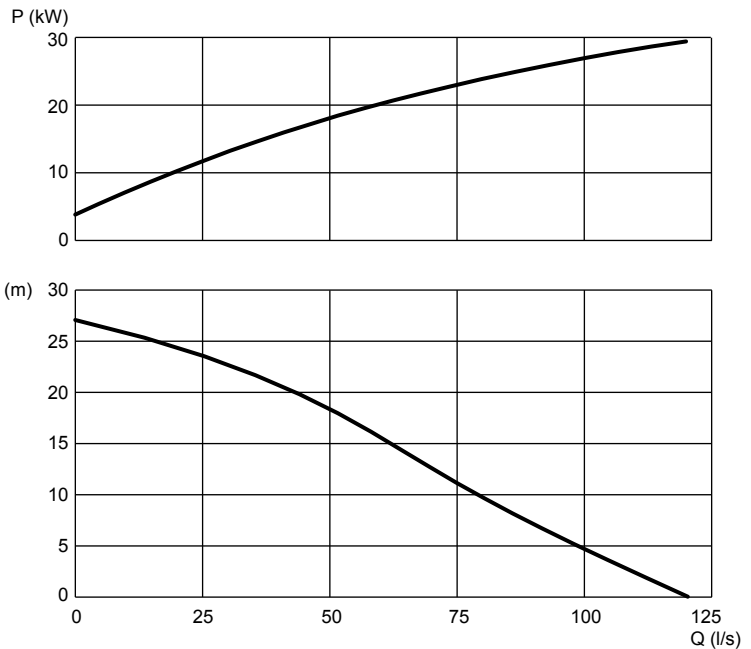
60 Hz

[www.grindex.com](http://www.grindex.com)

**BRAVO**



Weight: 407 kg



The curves have been designed according to ISO 9906 Hydraulic characteristics in water at 20°C

**General description:**

Vortex impeller pump with agitator in wear resistant Nihard 4 for reliable transport of highly abrasive solids in high concentrations. For industry, mining, construction works, dredging and other demanding applications.

**Classification**

Electrical submersible slurry pump  
Protection class: IP68  
Max. submersion depth: 20 m

**Electrical motor**

Squirrel cage induction motor  
Insulation class: F (155° C)

**Technical data**

Shaft speed	r.p.m.	1750
Rated output	hp	52.3
Max. power cons.	kW	45.4
Rated current A at	460 V	66.2
	575 V	52.9

Other voltages on request

**Motor protection**

Thermoswitches in motorwindings.

**This pump must be used with external motor protection in accordance with technical data**

**Shaft seals**

Double mechanical shaft seals with an oil compartment between the seals

Material upper seal: Carbon-ceramic

Material lower seal: Silicon carbide-ceramic

**Materials**

Motor housing	Cast iron
Wear plate	Ni Hard 4
Pump housing	Ni Hard 4
Hose adapter	Ni Hard 4
Impeller	Ni Hard 4
Agitator	Ni Hard 4
Shaft	Stainless steel
Bolts	Stainless steel
Electrical cable	Nitrile
Primer	Zinc epoxy primer
Top coating	Two components epoxy paint

**Limitations**

Max. submersion depth: 20 m

Max. liquid temperature: 40°C

pH of the liquid: 4-10

Inlet diameter: 145 mm

Discharge diameter: 6"

Max solids handling: Ø 51.5 mm (Ø 92 mm without agitator)

Specifications can be changed without notice.

**GRINDEX**

Grindex AB	Box 538	SE-136 25 Haninge	Sweden
Tel: +46 8 606 66 00		Fax: +46 8 745 53 28	
e-mail: <a href="mailto:grindex@grindex.com">grindex@grindex.com</a>		<a href="http://www.grindex.com">www.grindex.com</a>	