

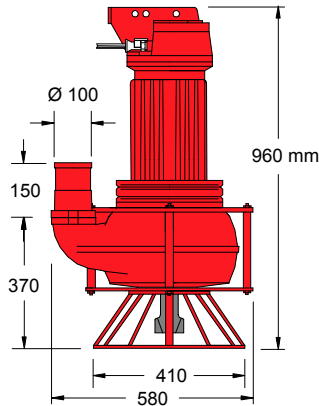
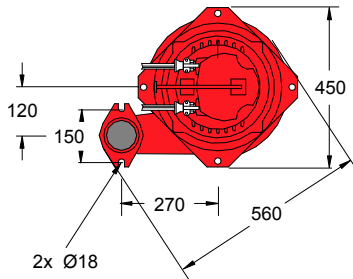
BRAVO 40

Electrical submersible slurry pump

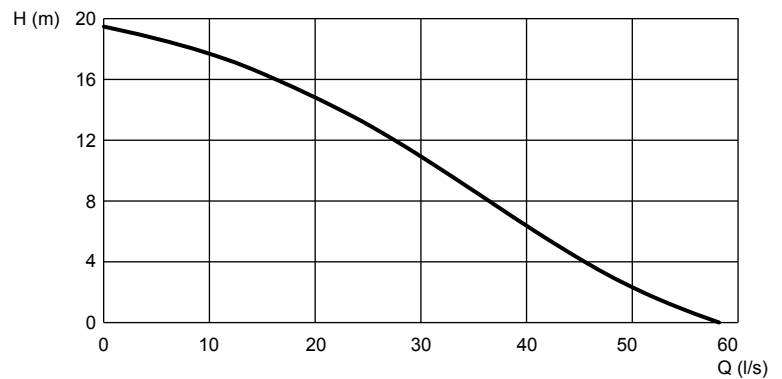
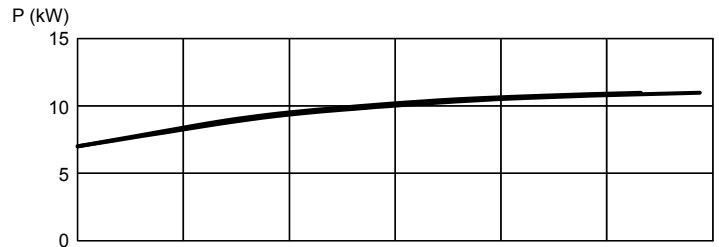
60 Hz

www.grindex.com

BRAVO



Weight: 199 kg



The curves have been designed according to ISO 9906 Hydraulic characteristics in water at 20°C

General description:

Vortex impeller pump with agitator in wear resistant Nihard 4 for reliable transport of highly abrasive solids in high concentrations. For industry, mining, construction works, dredging and other demanding applications.

Classification

Electrical submersible slurry pump
Protection class: IP68
Max. submersion depth: 20 m

Electrical motor

Squirrel cage induction motor
Insulation class: F (155° C)

Technical data

Shaft speed	r.p.m.	1750
Rated output	hp	20
Max. power cons.	kW	17.5
Rated current A at	460 V	26.3
	575 V	21.1

Other voltages on request

Motor protection

Thermoswitches in motorwindings.

This pump must be used with external motor protection in accordance with technical data

Shaft seals

Double mechanical shaft seals with an oil compartment between the seals
Material upper seal: Carbon-ceramic
Material lower seal: Silicon carbide-silicon carbide

Materials

Motor housing	Cast iron
Wear plate	Ni Hard 4
Pump housing	Ni Hard 4
Hose adapter	Ni Hard 4
Impeller	Ni Hard 4
Agitator	Ni Hard 4
Shaft	Stainless steel
Bolts	Stainless steel
Electrical cable	Neoprene
Primer	Zinc epoxy primer
Top coating	Two components epoxy paint

Limitations

Max. submersion depth: 20 m
Max. liquid temperature: 40°C
pH of the liquid: 4-10
Discharge diameter: 4"
Max solids handling: Ø 35 mm (Ø 100 mm without agitator)

Specifications can be changed without notice.