

No: PD601 Revision 1 2005.04

BRAVO 20

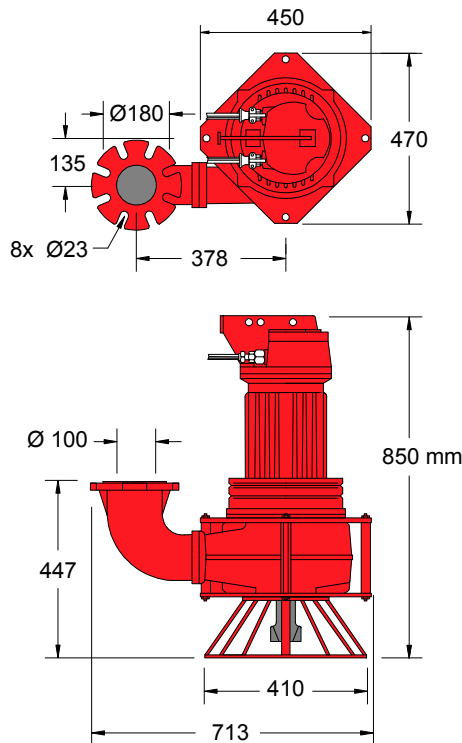
Electrical submersible slurry pump

60 Hz

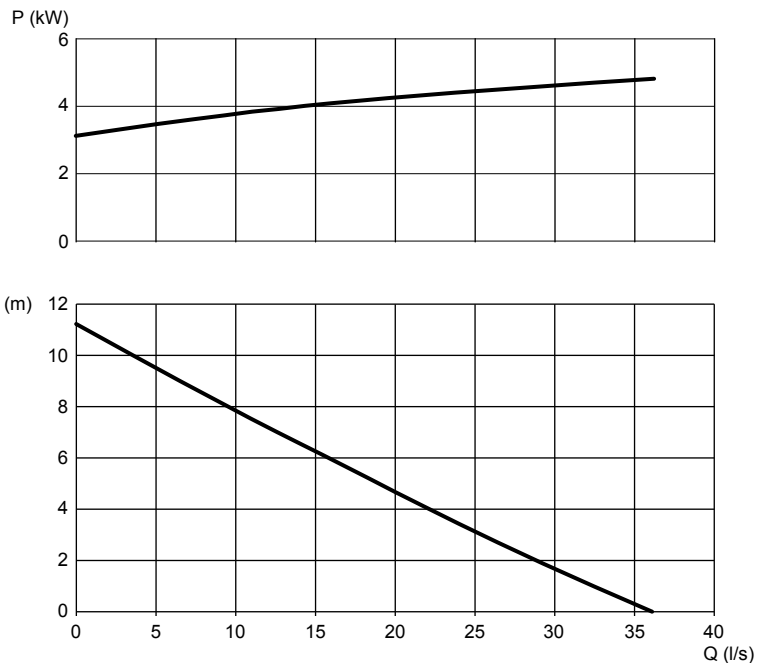
GRINDEX

www.grindex.com

BRAVO



Weight: 162 kg



The curves have been designed according to ISO 9906 Hydraulic characteristics in water at 20°C

General description:

Vortex impeller pump with agitator in wear resistant Nihard 4 for reliable transport of highly abrasive solids in high concentrations. For industry, mining, construction works, dredging and other demanding applications.

Classification

Electrical submersible slurry pump
Protection class: IP68
Max. submersion depth: 20 m

Electrical motor

Squirrel cage induction motor
Insulation class: F (155° C)

Technical data

| | | |
|--------------------|--------|------|
| Shaft speed | r.p.m. | 1750 |
| Rated output | hp | 5.4 |
| Max. power cons. | kW | 5.1 |
| Rated current A at | 460 V | 8.7 |
| | 575 V | 7.0 |

Other voltages on request

Motor protection

Thermoswitches in motorwindings.

This pump must be used with external motor protection in accordance with technical data

Shaft seals

Double mechanical shaft seals with an oil compartment between the seals
Material upper seal: Carbon-ceramic
Material lower seal: Silicon carbide-silicon carbide

Materials

| | |
|------------------|----------------------------|
| Motor housing | Cast iron |
| Wear plate | Ni Hard 4 |
| Pump housing | Ni Hard 4 |
| Impeller | Ni Hard 4 |
| Agitator | Ni Hard 4 |
| Shaft | Stainless steel |
| Bolts | Stainless steel |
| Electrical cable | Neoprene |
| Primer | Zinc epoxy primer |
| Top coating | Two components epoxy paint |

Limitations

Max. submersion depth: 20 m
Max. liquid temperature: 40°C
pH of the liquid: 4-10
Discharge diameter: 4"
Max solids handling: Ø 28 mm (Ø 80 mm without agitator)

Specifications can be changed without notice.

GRINDEX

| | | | |
|----------------------------------------------------------------------|---------|------------------------------------------------------|--------|
| Grindex AB | Box 538 | SE-136 25 Haninge | Sweden |
| Tel: +46 8 606 66 00 | | Fax: +46 8 745 53 28 | |
| e-mail: grindex@grindex.com | | www.grindex.com | |